



## TYLOK<sup>SM</sup> General Purpose Ball Valves

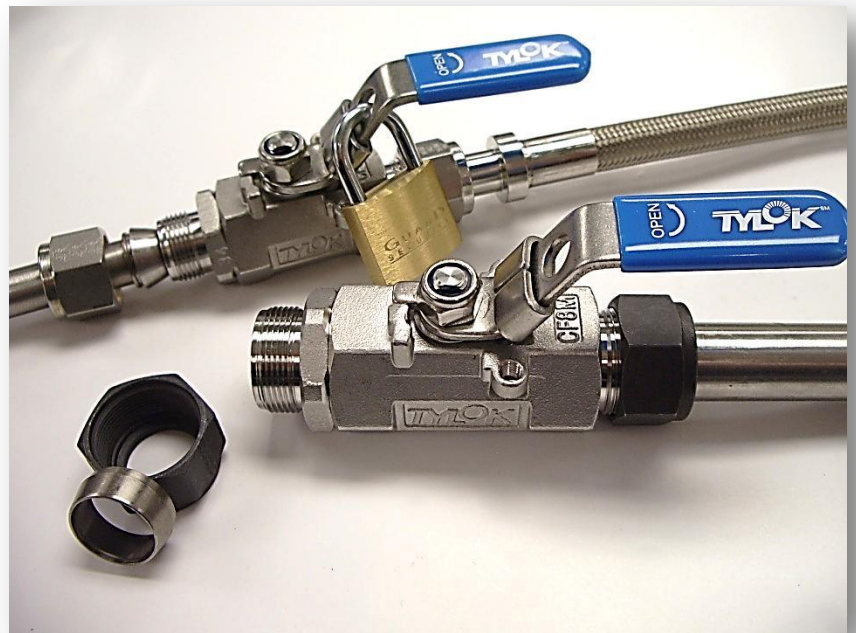
Tylok is proud to introduce a true **Tube Valve** solution for tubing systems. The GP Series is complete from **¼" to 1"** with integral tube end connections for tube-to-tube, tube-to-male and tube-to-female pipe, and female-to-female pipe applications.

Tylok General Purpose Ball Valve Series is a moderate pressure ball valve for general service. They were designed for tight shutoff, long service life and low operating torque.

- 2,000 psig (135 bar) Pressure Rating
- 400° F (204° C) Temperature Rating
- Built-in actuator mounting holes for ease of automation
- Bi-directional flow in fully open or fully closed position
- Compact in size but with high flow capacity
- Locking Handle in both On and OFF position

### FEATURES

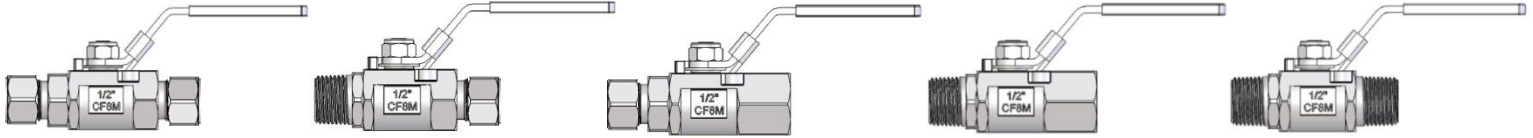
- Blow-out Proof Stem
- Stainless Steel Construction
- Locking Handles in On and Off positions
- Mounting Holes Available for Automation
- Material: Stainless Steel Cast "CF8M"
- Pressure Rating: 2000 psi (135 bar) at 100° F (37° C)
- Temperature Rating: 400°F (204°C) max.
- Seat Material: TFM 1600
- Flow Coefficient (Cv) 0.88 to 11.27
- Size Range: 1/4" to 1"
- End Connections:
  - Integral Tube Fitting (Both Twin & Single Ferrule Designs)
  - Tube X Male NPT, Tube X Female NPT
  - Female NPT X Female NPT
- 100% factory leak tested
- Air Operator mounts standard



# TYLOK GENERAL PURPOSE "GP" SERIES BALL VALVE

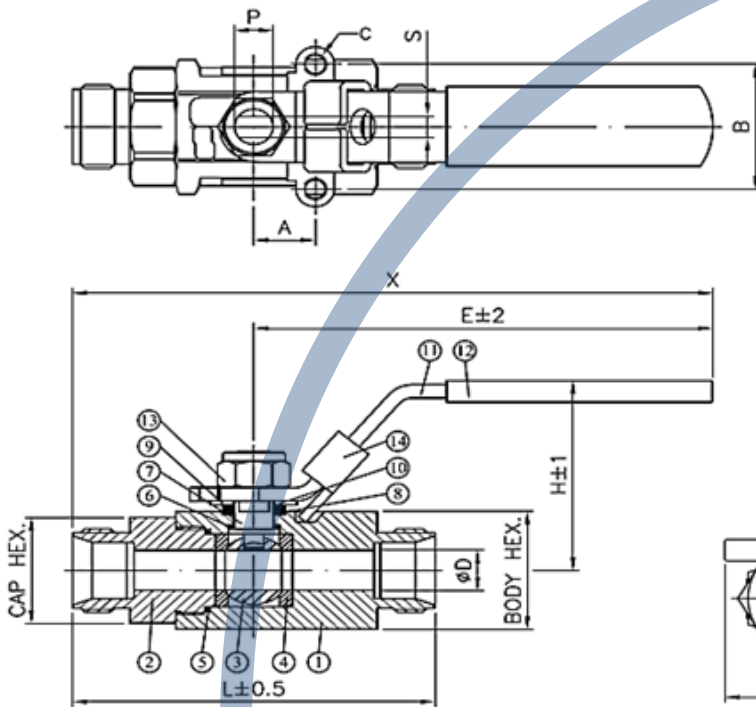
## ORDERING INFORMATION

MATERIAL	SERIES	BODY SIZE	PORT #1 TYPE	PORT #1 SIZE	PORT #2 TYPE (under handle)	PORT #2 SIZE
SS (CF8M) (CAST 316)	GP	4 = 1/4" 6 = 3/8", 8 = 1/2", 12 = 3/4", 1" = 16	D = DUAL FERRULE S = SINGLE FERRULE M = MPT, F = FPT	4 = 1/4" 6 = 3/8", 8 = 1/2", 12 = 3/4", 1" = 16	D = DUAL FERRULE S = SINGLE FERRULE F = FPT	4 = 1/4" 6 = 3/8", 8 = 1/2", 12 = 3/4", 1" = 16



DOUBLE FERRULE TUBE END -TO-TUBE; -TO-MPT; -TO-FPT			SINGLE FERRULE TUBE END -TO-TUBE; -TO-MPT; -TO-FPT		
SS-GP4-D4-D4	SS-GP4-M4D4	SS-GP4-D4F4	SS-GP4-S4-S4	SS-GP4-M4S4	SS-GP4-S4F4
SS-GP6-D6-D6	SS-GP6-M6D6	SS-GP6-D6F6	SS-GP6-S6-S6	SS-GP6-M6S6	SS-GP6-S6F6
SS-GP8-D8-D8	SS-GP8-M8D8	SS-GP8-D8F8	SS-GP8-S8-S8	SS-GP8-M8S8	SS-GP8-S8F8
SS-GP12-D12-D12	SS-GP12-M12D12	SS-GP12-D12F12	SS-GP12-S12-S12	SS-GP12-M12S12	SS-GP12-S12F12
SS-GP16-D16-D16	SS-GP16-M16D16	SS-GP16-D16F16	SS-GP16-S16-S16	SS-GP16-M16S16	SS-GP16-S16F16
MPT-TO-MPT			FPT-TO-FPT		
SS-GP4-M4F4			SS-GP4-F4F4		
SS-GP6-M6F6			SS-GP6-F6F6		
SS-GP8-M8F8			SS-GP8-F8F8		

\* Other configurations available upon request, please consult with your Tylok representative for details



NO.	PART NAME	MATERIAL	Q'TY
1	BODY	ASTM A351 Gr. CF8M	1
2	CAP	ASTM A351 Gr. CF8M	1
3	BALL	CF8M	1
4	SEAT	TFM1600	2
5	GASKET	PTFE	1
6	THRUST WASHER	PTFE	1
7	STEM	SS316	1
8	STEM PACKING	PTFE	1
9	WASHER	SS304	1
10	BELLEVILLE WASHER	SS301	1
11	HANDLE	SS304	1
12	HANDLE SLEEVE	WNYL	1
13	HEX LOCK NUT (W/ NYLON INSERT)	SS304	1
14	LOCKING DEVICE	SS304	1

SIZE	X	Y	Z
1/4"	3.50	1.75	1.44
3/8"	4.51	1.89	1.44
1/2"	4.70	2.22	1.44
3/4"	5.08	2.47	1.44
1"	5.98	2.86	1.69

SIZE	ØD	L	A	B	C	E	H	P	S	BODY HEX	CAP HEX
1/4"	0.20	2.36	0.50	1.12	M5xP0.8	2.32	1.38	0.19	0.12	3/4"	11/16"
3/8"	0.28	2.56	0.50	1.12	M5xP0.8	3.23	1.46	0.23	0.16	7/8"	13/16"
1/2"	0.36	2.95	0.50	1.12	M5xP0.8	3.23	1.65	0.31	0.20	1-1/16"	1"
3/4"	0.49	3.54	0.50	1.12	M5xP0.8	3.31	1.81	0.31	0.20	1-5/16"	1-1/4"
1"	0.59	3.94	0.87	1.37	M5xP0.8	4.02	2.05	0.39	0.24	1-5/8"	1-9/16"

\* Dimensions listed are for Tube-to-Tube valves, all other valve configuration available upon request.

**EASTERN**  
**r***eliability.com*

R. Todd MacGregor  
REGIONAL MFG. REP.

Eastern Reliability, LCC  
P.O. Box 68  
Fairhaven, MA 02719

Office: (508) 992-9189  
Cellular: (508) 243-8559  
easternreliability1@gmail.com

Chemical and Industrial Tanks • Specialty Pumps  
Critical Pipe Fittings and Connections  
Environmental Equipment Tank Inspection Services