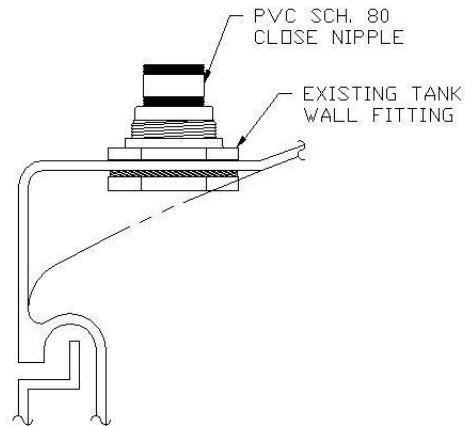


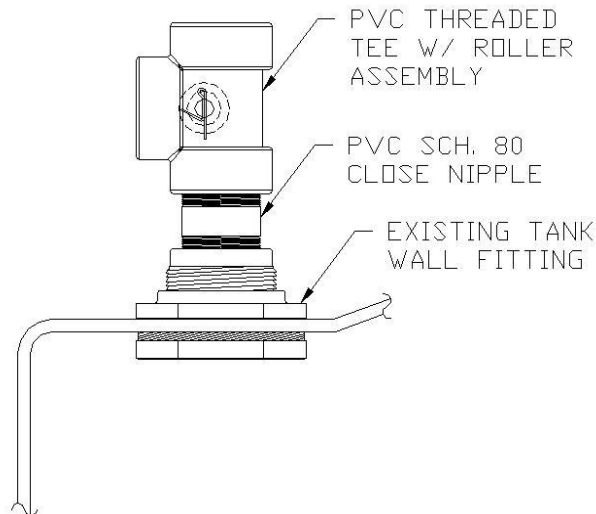
Reverse Float Level Indicator / Retrofit Assembly

The following instructions are to install a Reverse float level indicator to the existing tank.

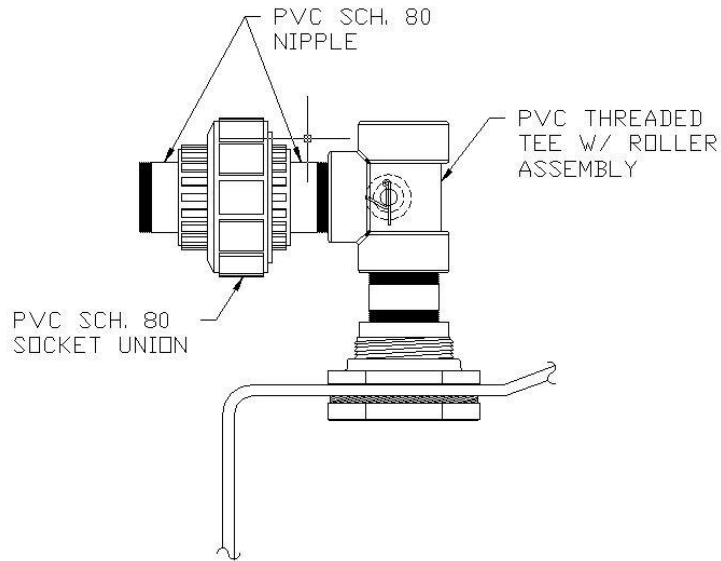
- 1) Start by threading the 2" PVC close nipple into the bulkhead fitting. (See Diagram)



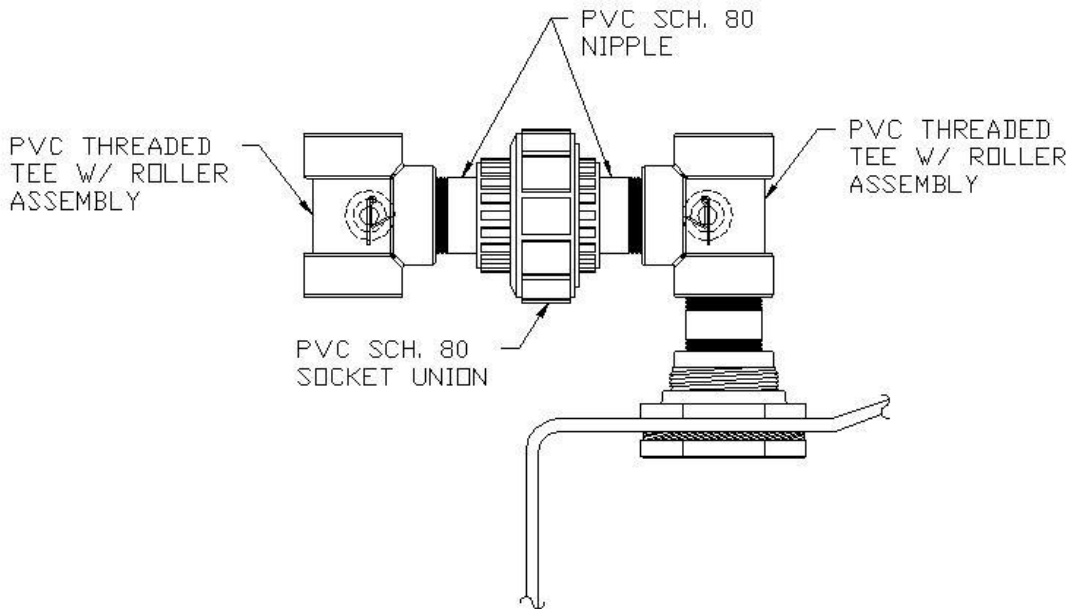
- 2) The yellow polypropylene rope with the attached eyelet will need to be fed down into the tank through the nipple. This will need to be fished out and attached to the polyethylene float. The other end of the rope will need to be fed through the tee prior to its installation. Next, thread the 2" PVC threaded TEE onto the close nipple. The roller will already be installed in the tee. (See Diagram)



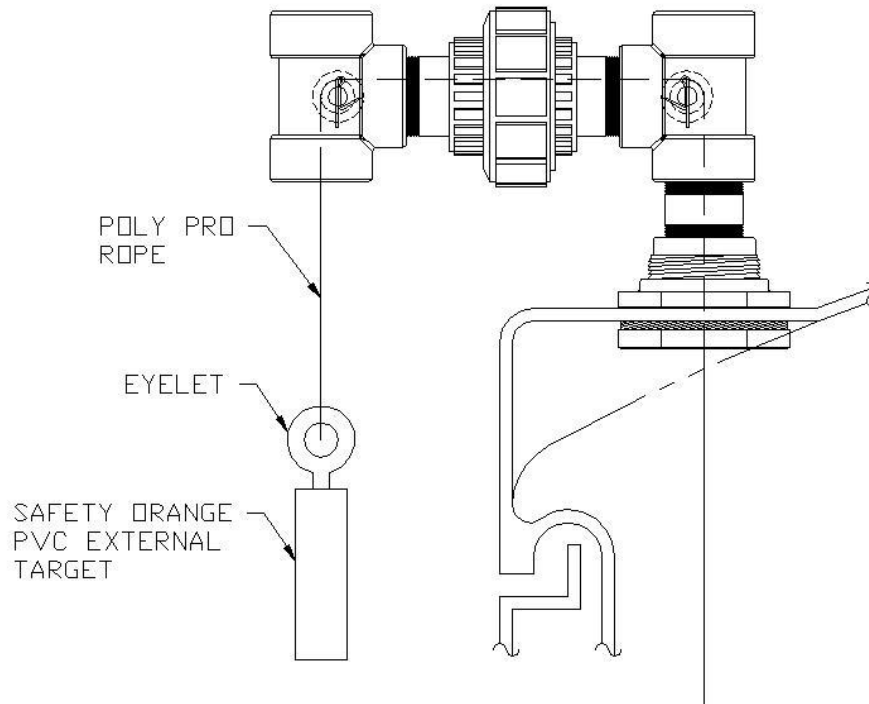
- 3) The polypropylene rope will be fed through the nipple and the union assembly. Once this rope is in place, the nipple and union assembly can be threaded into the tee. (See Diagram)



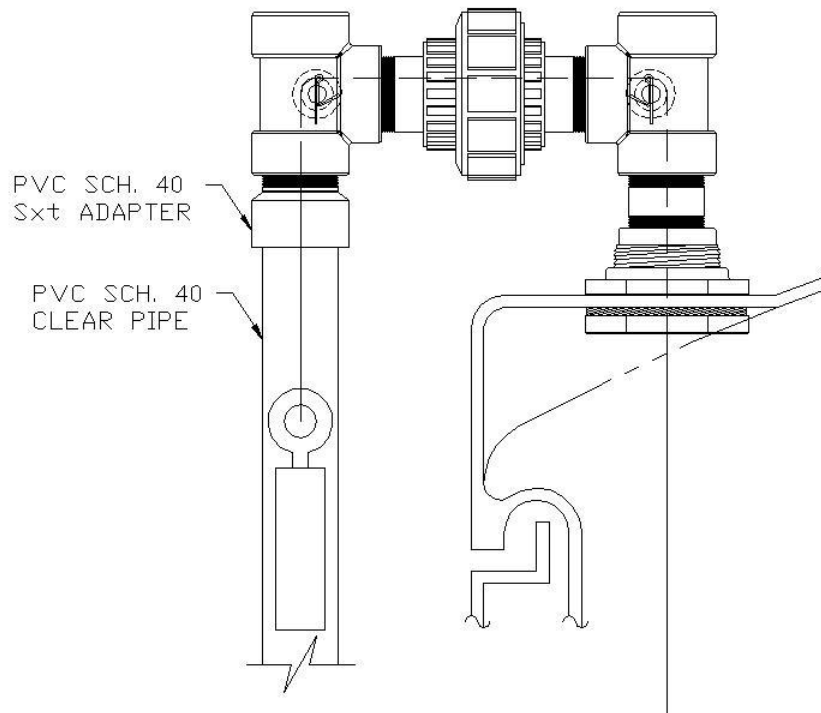
- 4) Next, the polypropylene rope will need to be fed through the PVC tee. Once the rope has been fed through, the tee can be threaded onto the nipple. (See Diagram)



- 5) The rope will now need to be attached to the supplied eyelet and orange target. The rope will be a little long to allow for the correct adjustment of the outside target. The middle of the target needs to be approximately where the primary and secondary meet. (See Diagram)



- 6) After the rope has been secured to the eyelets, the SCH. 40 PVC Thread x Socket Adapter with the attached clear PVC pipe can be threaded into the bottom of the tee. (See Diagram)



- 7) The remaining Male Pipe Plugs need to be threaded into the top of the tee. Both need to be installed. (See Diagram)

